

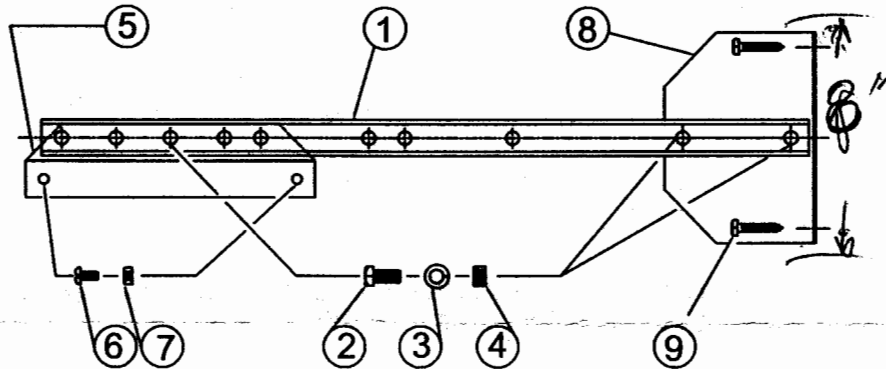


INFRARED DYNAMICS

manufacturers of gas infra-red equipment
 3830 Prospect Avenue
 Yorba Linda, California 92886 USA
 Phone (714) 572-4050

Mounting Kit for SUNPAK Heater

Parts List



Item	Painted	Stainless	QTY	Description
1	32043	32043-2	2	Bar, 1/2 x 1 Channel, 21-5/16"L
2	70007	70007-2	6	Bolt, 3/8-16 x 3/4 Square Head
3	70013	70013-2	6	Washer, 3/8 Lock
4	70059	70059-2	6	Nut, 3/8-16 ZINC
5	32041	32041-2	2	Bracket, S Heater
6	70061	70061-2	4	Screw, 1/4-20 x 1/2
7	71023	71023-2	4	Nut, 1/4-20
8	32042	32042-2	2	Bracket, S Wall
9	70060	70060-2	4	Bolt, 1/4 x 1-1/4"L Lag

CUT BAR LENGTHS

FIG. 1

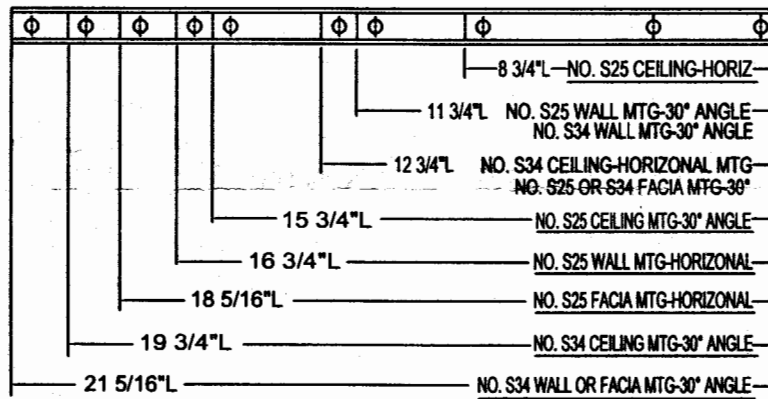
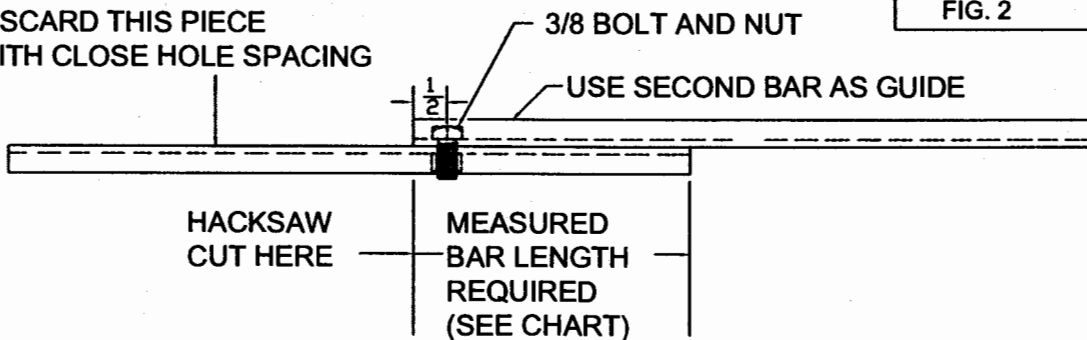


FIG. 2

DISCARD THIS PIECE
WITH CLOSE HOLE SPACING





3830 Prospect Avenue
Yorba Linda, California 92886 U.S.A.

INSTRUCTIONAL GUIDE FOR THE SUNPAK® MOUNTING KIT

The *SUNPAK® Mounting Kit* provides an easy way to insure your SUNPAK® Heater is mounted properly. Please read and follow the instructions carefully. Regardless of whether your *SUNPAK® Heater* is mounted using the *SUNPAK® Mounting Kit* or by other means, it must meet the fire hazard clearances (clearance for combustible materials) described in the *Installation, Operation & Maintenance Manual for SUNPAK® Infrared Heaters*.

REQUIRED TOOLS for installation include hacksaw, flat pointed screwdriver, tape-measure, crescent wrench, and drill.

1. Cut bracket bars to correct length with hacksaw. Two $\frac{1}{2} \times 1 \times 21\text{-}5/16$ inch long channels are provided in the installation kit with pre-punched holes to exactly mount the heater at the correct fire hazard clearance required (see rating label inside door and descriptive picture in heater instructions).
 - a. Check rating plate (inside heater door) for model number (S25 or S34)
 - b. Select wall, ceiling or fascia board mounting.
 - c. Determine the angle of mounting: horizontal or 30 degree angle.
From the cut bar chart (Fig. 1, on back of sheet), note the length of the bar required. Your measurement must be from the end with the least number of holes.
2. Secure wall bracket to wall, ceiling, or fascia board. Pencil vertical lines $47\frac{1}{2}$ " apart to place heater at the desired mounting height. Install wall brackets with $\frac{3}{4}$ " bracket flange facing inboard with edge of flange on $47\frac{1}{2}$ " marks. Secure each bracket with two (2) $\frac{1}{4} \times 1\frac{1}{4}$ lag bolts provided in the kit into a suitable wood structure.
Using one bar as a guide, bolt the two bars together so that the end of the guide bar matches your cut length (See Fig. 2 on back of sheet). This will aid you in cutting the bar squarely to the correct length. Paint cut end to prevent rusting.
3. Secure channel bars to installed wall bracket with the two (2) $\frac{3}{8} \times \frac{3}{4}$ " square head bolts, nuts and washers. The square heads of the bolts should be on the inside of the channel bars facing inboard.
4. Secure heater brackets to each end of the heater using the $\frac{1}{4} \times \frac{1}{2}$ " bolts and nuts provided. Be sure brackets are secured with the joggle extending outboard of the end of the heater, as service of the heater will require removal of the top in the installed position. Secure heater to brackets with the gas and electrical inlet facing the wall. The heater is supported on both ends with a $\frac{3}{8} \times \frac{3}{4}$ " square head bolt, nut and washer securing the heater, brackets and channel bars at each end.

EB510-C 3/09