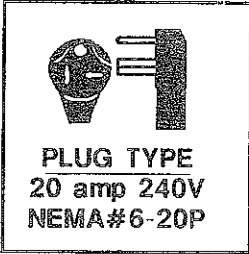


**MODEL NO.
ICH-240C**
Portable Unit Heater



Installation & Maintenance Instructions



WARNING



Read Carefully-These instructions contain vital information for the proper installation, use and efficient operation of the heater. Carefully read these instructions before installation, operation, or cleaning of the heater. Failure to adhere to the instructions could result in fire, electric shock serious personal injury death or property damage.

Save these instructions and review frequently for continuing safe operation and instruction future users

- 1 Connect to properly grounded outlets only
- 2 Check heater voltage and amperage on back of heater to make sure it agrees with the electric service supplied.
- 3 Ground fault circuit protection is required if heater is used in damp areas such as basements or garages. This is not suitable for use in wet or very humid locations.
- 4 Do not use outdoors
- 5 Never locate heater where it may fall into a bathtub or other water container
- 6 Do not insert or allow foreign objects to enter any ventilation or exhaust opening as this may cause an electric shock fire or damage the heater
- 7 To prevent a possible fire, do not block air intakes or exhaust

in any manner. Do not use soft surfaces, like a bed, where openings may become blocked. Clean as often as necessary to prevent dust from clogging the grilles or element fins. Keep all electrical cords, drapes, paper, plastics and other combustibles away from heater.

- 8 Do not run cord under carpeting. Do not cover cord with throw rugs, runners, etc. To prevent entanglement or damage route cord away from high traffic areas.
- 9 A heater has hot and arcing or sparking parts inside. Do not use it in areas where gasoline, paint, or flammable liquids are repaired by a reputable repair service.
- 10 If this heater or its power cord become damaged or malfunction in any way, unplug heater, discontinue use and have unit repaired by a reputable repair service.
- 11 Do not operate heater without stand.
- 12 Do not use an extension cord with this heater. Do not cut off plug and wire heater directly.
- 13 When heater is to be wall or ceiling mounted, the anchoring provisions must be of sufficient strength to support the total weight of the heater plus the weight of the mounting provisions. Failure to properly secure the supporting members of the building structure could allow the heater to fall.

SAVE THESE INSTRUCTIONS

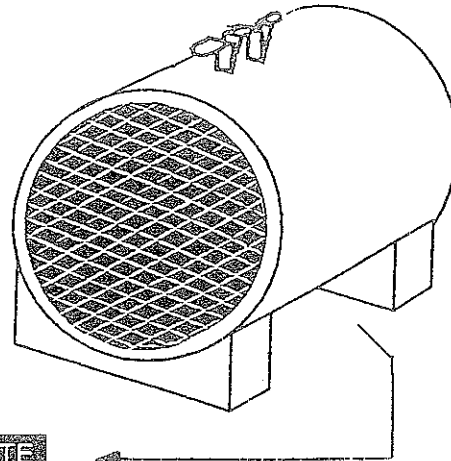


GENERAL

Prior to operating heater, make sure the electrical outlet is of the configuration and capacity appropriate for the heater. See outlet configuration on front page of manual. In workshops, locate heater away from sources of wood dust.

FLOOR APPLICATION

The heater is for floor mounting. Place the heater on floor or other flat surface and insert plug into the proper wall outlet.



NAMEPLATE

WARNING

BE CAREFUL NOT TO DIRECT THE AIRSTREAM AT DRAPERIES, FURNITURE, OR OTHER OBJECTS THAT COULD BE DAMAGED BY HEAT. DO NOT PLACE THE HEATER WHERE A SMALL CHILD MAY FALL OVER THE HEATER. DO NOT PLACE THE HEATER WHERE THE POWER CORD MAY BE WALKED ON, TRIPPED OVER OR OTHERWISE SUBJECTED TO HARD USAGE.

Set thermostat to its full counterclockwise position. Plug the unit into a properly grounded 240V outlet. (#6-20 for model ICH-240C). Set the thermostat to the farthest clockwise position. The fan should come on and the unit will start heating the room. When the room reaches comfort level, turn the thermostat counterclockwise until the heater turns off. The heater will cycle automatically around this preset temperature. To increase temperature, turn the thermostat knob clockwise. To lower temperature, turn the thermostat counterclockwise.

CLEANING AND STORAGE

Turn thermostat off and remove plug from electrical outlet before cleaning heater. Use a soft cloth for dusting. For cleaning, use only a damp rag and non-abrasive dish detergent. Do not use abrasive chemical cleaners as these may harm the finish. If heater is used in very dusty applications, use a vacuum cleaner dust brush to remove dust and other foreign material from the grilles. Always unplug cord and wrap around heater handle when not in use. Move heater to a safe location for storage.

SERVICE

This heater does not require any routine maintenance other than occasional cleaning to prevent clogging of intake grille opening. To clean air intake grille, use vacuum with brush attachment or high pressure air. The motor is permanently lubricated. Do not operate the heater with a damaged cord or plug or if the heater malfunctions or has been damaged in any manner. Return heater to authorized service facility for examination, electrical or mechanical adjustment or repair.

For the name of the nearest authorized TPI Corporation service center, please write to TPI Corporation, P.O. Box 4973, Johnson City, Tennessee, 37602.

WARNING

OPERATION OF THE SAFETY THERMAL LIMIT CONTROL INDICATES THE HEATER HAS BEEN SUBJECTED TO SOME ABNORMAL CONDITIONS. IT IS RECOMMENDED THAT THE HEATER BE CHECKED BY A REPUTABLE ELECTRICIAN OR REPAIR SERVICE TO INSURE THE HEATER HAS NOT BEEN DAMAGED.

TPI CORPORATION
JOHNSON CITY, TN 37601

FILE # E152706

MODEL	VOLTS AC	WATTS
ICH-240C	240/208	4000/3000

TPI Corporation
LIMITED WARRANTY

Products manufactured by TPI Corporation are warranted to the original consumer to be free from defects in material and workmanship for twelve (12) months from the original date of purchase. The TPI warranty does not cover products modified outside our factory, damage of failure caused by acts of God, abuse, misuse, or other than rated voltage, abnormal usage, faulty installation, failure to provide suggested maintenance procedures enclosed with the product, improper maintenance or any repairs other than those provided by an authorized TPI Corporation service center.

THERE ARE NO OBLIGATIONS OR LIABILITIES ON THE PART OF THE CORPORATION FOR CONSEQUENTIAL DAMAGES ARISING OUT OF OR IN CONNECTION WITH THE USE OR PERFORMANCE OF THE PRODUCT OR OTHER INDIRECT DAMAGES WITH RESPECT TO LOSS OF PROPERTY, REVENUES, OR PROFIT OR COSTS OF REMOVAL, INSTALLATION OR REINSTALLATION.

ALL IMPLIED WARRANTIES WITH RESPECT TO TPI PRODUCTS, INCLUDING IMPLIED WARRANTIES FOR MERCHANTABILITY AND IMPLIED WARRANTIES FOR FITNESS, ARE LIMITED IN DURATION TO TWELVE (12) MONTHS FROM ORIGINAL DATE OF PURCHASE, EXCEPT THOSE PRODUCTS OR PARTS OF PRODUCTS WHICH ARE WARRANTED FOR LONGER PERIODS. ON SUCH PRODUCTS OR PARTS OF PRODUCTS ALL IMPLIED WARRANTIES FOR MERCHANTABILITY AND FITNESS ARE LIMITED TO THE DURATION OF THE EXTENDED WARRANTY PERIOD THEREON.

Some states do not allow the exclusion or limitation of incidental or consequential damages and some states do not allow limitations on how long an implied warranty lasts, so the above exclusions or limitations may not apply to you.

During the warranty period, TPI Corporation will, at its sole option, repair or replace any defective parts or products returned, freight prepaid, to the TPI Corporation factory or such other location as TPI Corporation may designate. Returned products must be packaged carefully and TPI Corporation shall not be responsible for damage in transit. When returning parts, the owner must provide the model number of the product and nature of difficulty being experienced. This warranty does not obligate TPI Corporation to bear the cost of labor in replacing any assembly, unit or component part thereof, nor does the company assume any liability for secondary charges, expenses for installing or removal, freight or damages. There will be charges rendered for product repairs made after our warranty period has expired. Proof of purchase, including date, must accompany request for in-warranty service. In any event, TPI Corporation's maximum liability shall not in any case exceed the list price for the product claimed to be defective. This warranty gives to you specific legal rights and you may have other rights which may vary from state to state. For the name of your nearest authorized TPI Corporation service center, please write to TPI Corporation, P.O. Box 4973, Johnson City, Tennessee, 37602.

In addition to the Limited Warranty stated above covering general products, TPI Corporation extends this warranty on the following listed products, which are warranted to the original consumer from the original date of purchase for the total time periods indicated herein below:

HEATING PRODUCTS		VENTILATION PRODUCTS	
1. Elements in 198 Series Portable	Life of Heater	1. Series HD or HDH Fans	5 years
2. Elements in Baseboards	10 years	2. Series LHP or LHP Fans	3 years
3. All Other Heating Products	1 year	3. All Other Ventilation Products	1 year
4. Thermostats and Controls	2 years		
5. 188TASA	2 years		

ICH240C

LIMIT CONTROL

MOTOR

HEATING
ELEMENT

THERMOSTAT

CONNECTORS

L1
L2

GND

CORDSET

USE COPPER CONDUCTORS
ONLY.
UTILISEZ DES CONDUCTEURS EN
CUIVRE SEULEMENT

