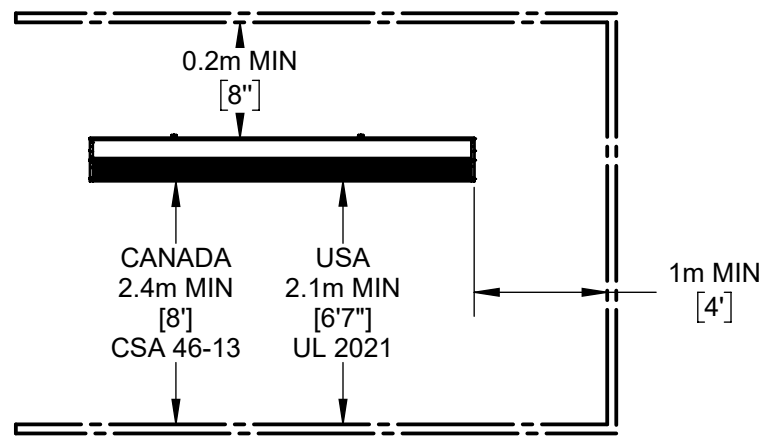
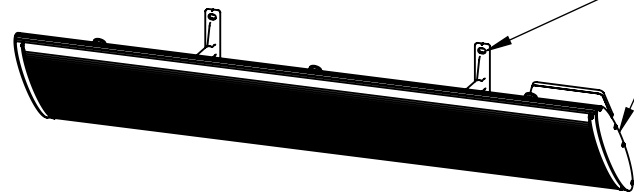


### HEATER CLEARANCE REQUIREMENTS



### ISOMETRIC VIEW



#### INCLUDED PARTS

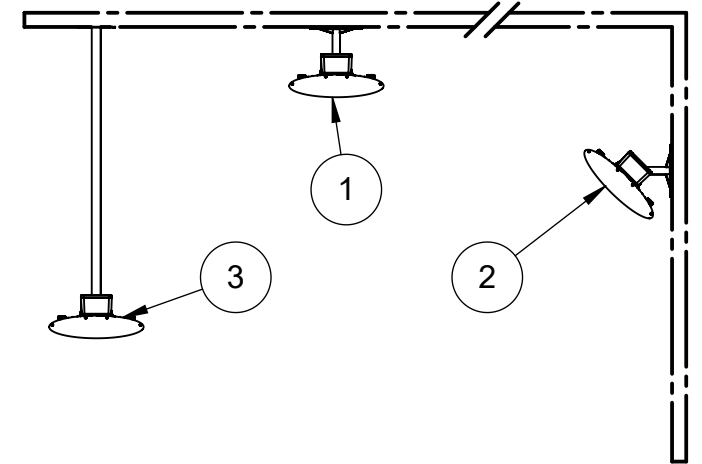
- WALL MOUNT BRACKETS
- BRACKET HARDWARE

CABLE NOT INCLUDED  
MUST BE INSTALLED BY CERTIFIED  
ELECTRICIAN PER LOCAL CODES OR  
NEC REQUIREMENTS

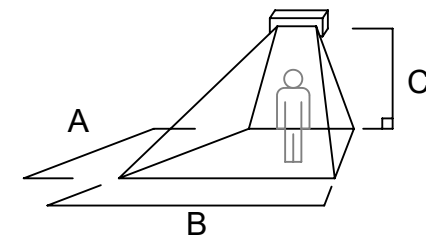
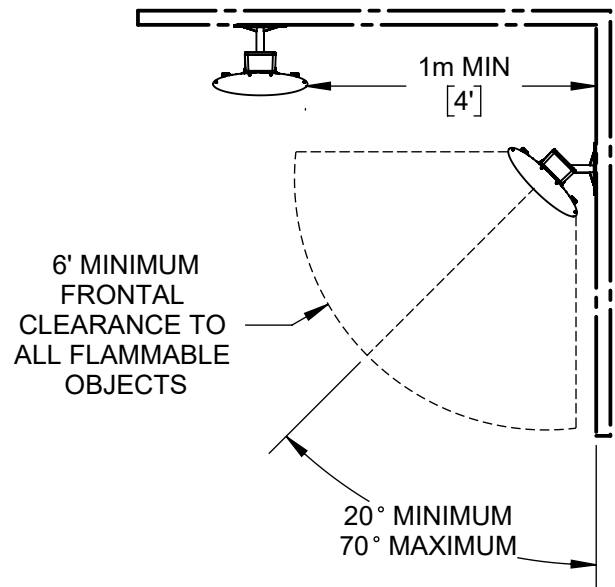
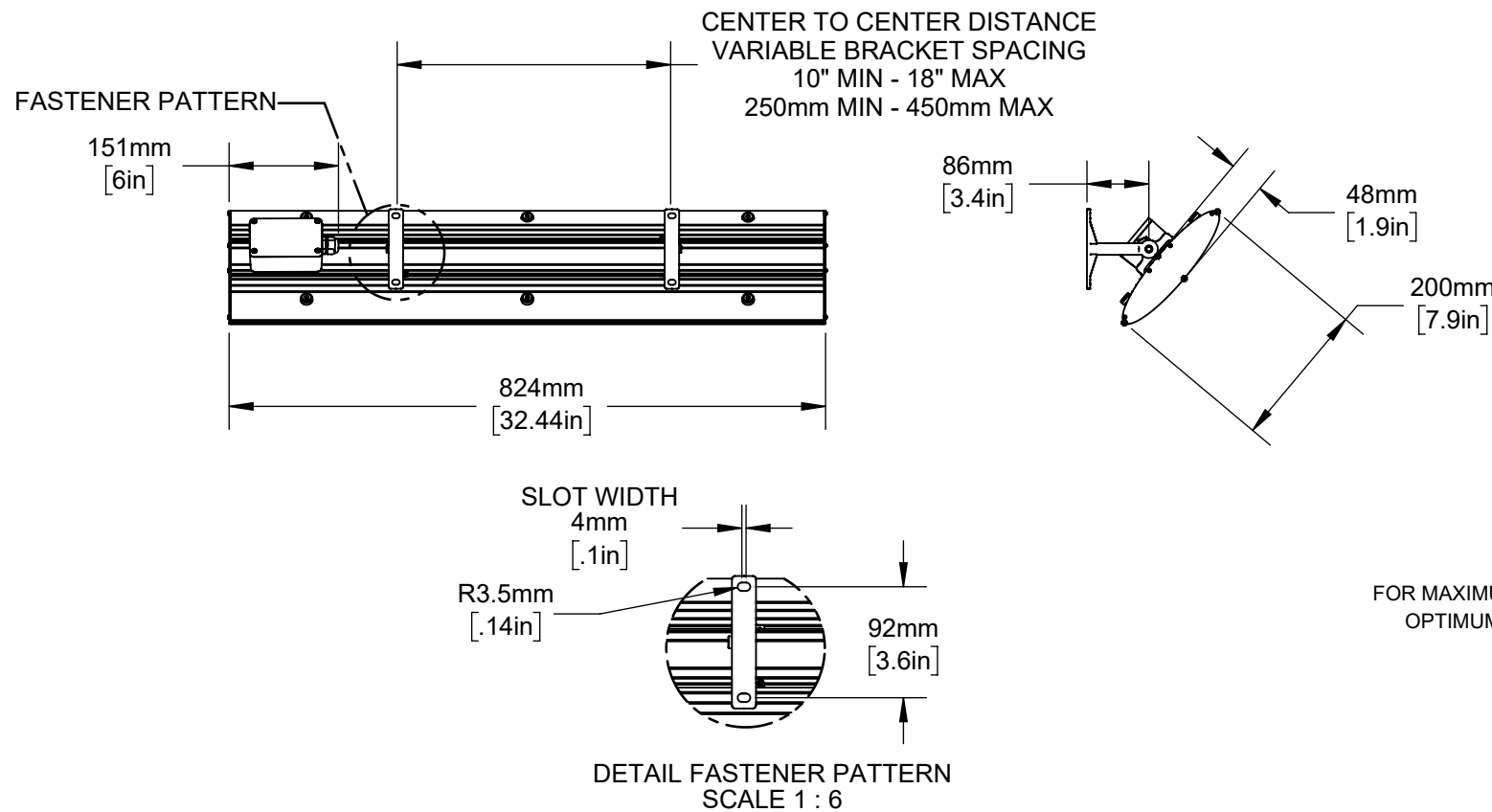
### SUITABLE MOUNTING CONFIGURATIONS

1. CEILING MOUNTED
2. WALL MOUNTED
3. CEILING SUSPENDED
  - OPTIONAL, BRACKETS SOLD SEPARATELY
  - 12" - DS12EXTC\*
  - 24" - DS24EXTC\*
  - 48" - DS48EXTC\*

\*C - SEE CATALOGUE FOR STANDARD COLOUR OPTIONS



### HEATER DIMENSIONS



MODEL	HEATED SPACE TYPE	A (FEET)	B (FEET)	C (FEET)	HEAT ZONE* (SQUARE FEET)
DS15120	INDOOR	7	7	8	49
	OUTDOOR ENCLOSED	6	8	8	48
	OUTDOOR EXPOSED	5	7	8	35

LONG WAVE HEATERS ARE SUSCEPTIBLE TO WIND LOSSES  
FOR MAXIMUM HEATING EFFICIENCY SPECIFY HEATERS IN PROTECTED ENVIRONMENTS  
OPTIMUM MOUNTING HEIGHT 8' MEASURED FROM FLOOR TO BOTTOM OF HEATER

#### LONG WAVE INFRARED HEATERS FOR:

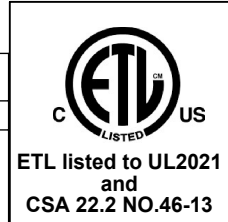
- INDOOR USE - RESIDENTIAL, COMMERCIAL AND INDUSTRIAL
- OUTDOOR USE - RESIDENTIAL, COMMERCIAL AND INDUSTRIAL
- FOR USE IN NON-HAZARDOUS AREAS ONLY
- NOT RECOMMENDED IN BREEZY ENVIRONMENTS
- HEATER MUST BE INSTALLED WITH OVERHEAD COVER

#### ADDITIONAL SPECIFIER NOTES

NO LIGHT RADIANT HEATER FOR USE IN ENCLOSED OR SEMI-ENCLOSED OUTDOOR SPACES IN MODERATE CLIMATES. INSTALLER, SPECIFIER OR ENGINEER SHOULD TARGET 8' MOUNTING HEIGHT TO BOTTOM OF HEATER FOR OPTIMAL PERFORMANCE

### \*\*HEATER SPECIFICATIONS

DESCRIPTION	ITEM/ SKU	WEIGHT (LBS/KG)	120V			
			POWER (WATTS)	HEAT DELIVERED (BTU)	VOLTAGE (VOLTS)	CURRENT (AMPS)
AURA SHADOW - 1500W / 120V	DS15120C*	15	1500	5115	120	12.5



SHEET NO. 1 OF 1

**A1** 2021-09-08

REVISION DATE: YYYY-MM-DD



MODEL  
**AURA SHADOW - 1500W**

SHEET SCALE 1:10 SHEET SIZE 11X17

C\* SEE CATALOGUE FOR STANDARD COLOURS \*\*SKU NOTES: ALL HEATERS COME WITH STANDARD 3.4" WALL AND CEILING BRACKETS AND BRACKET HARDWARE | \*\* SPECIFICATIONS SUBJECT TO CHANGE WITHOUT NOTICE

NOTICE: THIS DOCUMENT IS NOT A SUBSTITUTE FOR APPROVED MANUAL. Failure to follow instruction manual may cause fire, electric shock or injury to persons. AURATM is a registered trademark of Inforesight Consumer Products. Customer, contractor specifier and installer understands that some or all products provided by Inforesight Consumer Products Inc. may not be available for purchase or installation in certain jurisdictions or geographical areas. Inforesight Consumer Products Inc. reserves the right, in its sole discretion, to exclude or otherwise limit the provision of any product to a person or entity residing in any jurisdiction or geographical area outside of Canada. Inforesight Consumer Products Inc. provides general product installation guidelines and procedures and Customer, contractor, specifier and installer understands that Customer, contractor, specifier and installer is solely and exclusively responsible for installation of the product and ascertaining all applicable local municipal, provincial, state, and federal NEC (National Electrical Code) rules, by-law, ordinances and guidelines applicable to the installation of any Inforesight Consumer Products Inc. products. Customer contractor, specifier and installer must strictly adhere to and be compliant with the local rules, laws, ordinances and legal requirements for the safe installation and use of any Inforesight Consumer Products Inc. products. Instruction manuals are included with the product packaging and copies of our instruction manuals are available upon request. Under no circumstances shall Inforesight Consumer Products Inc. or its affiliated entities, employees, agents, shareholders, officers or directors be liable to Customer or any third party for any product installations and Customer, contractor, specifier and installer releases Inforesight Consumer Products Inc. from any and all losses, death, personal injury, property damage, other damages, rights, claims, demands and actions of any kind arising from the Customer's installation and use of the product, whether the installation was or was not in accord with the provided instruction manual and/or in compliance with applicable local laws. Solaira products are to be installed by licensed technicians per instruction manuals and to all provincial/state and national (N.E.C.) code requirements; specifications subject to change without notice.