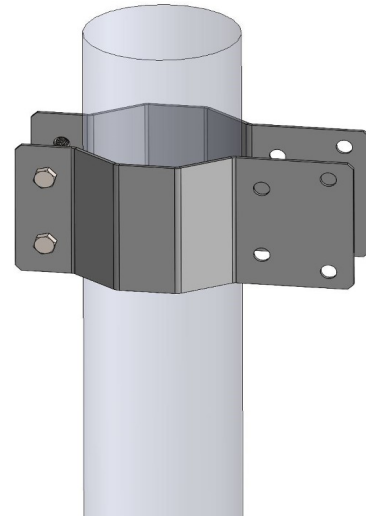




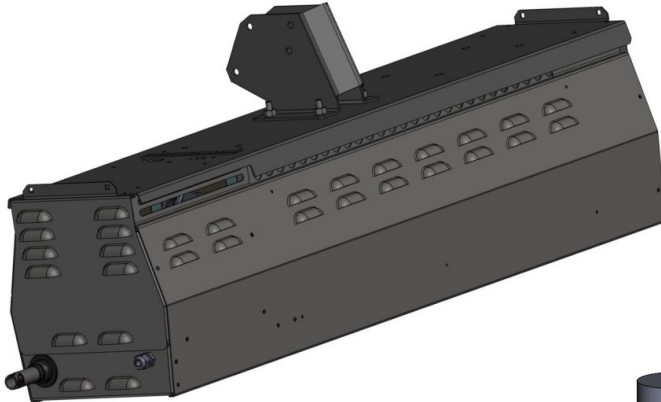
JP-2300-PK POST MOUNTING KIT

USE CARE NOT TO DAMAGE OR SCRATCH HEATER DURING INSTALLATION

- 1 FASTEN THE TWO POLE CLAMPS TO STRUCTURE USING FIELD SUPPLIED FASTENING HARDWARE. ENSURE SUFFICIENT STRENGTH AND INTEGRITY TO CARRY WEIGHT OF HEATER AND WIND/ SNOW LOADS



- 2 FASTEN HEATER BRACKET TO STUDS ON TOP OF HEATER



- 3 INSTALL THE TWO POLE CLAMPS ON TO WALL BRACKET USING BOLTS SUPPLIED (INSERT TOP BOLT FIRST TO CARRY WEIGHT OF HEATER)

