



JP-2100-CB-K: Universal Mounting Kit for Patio Heater

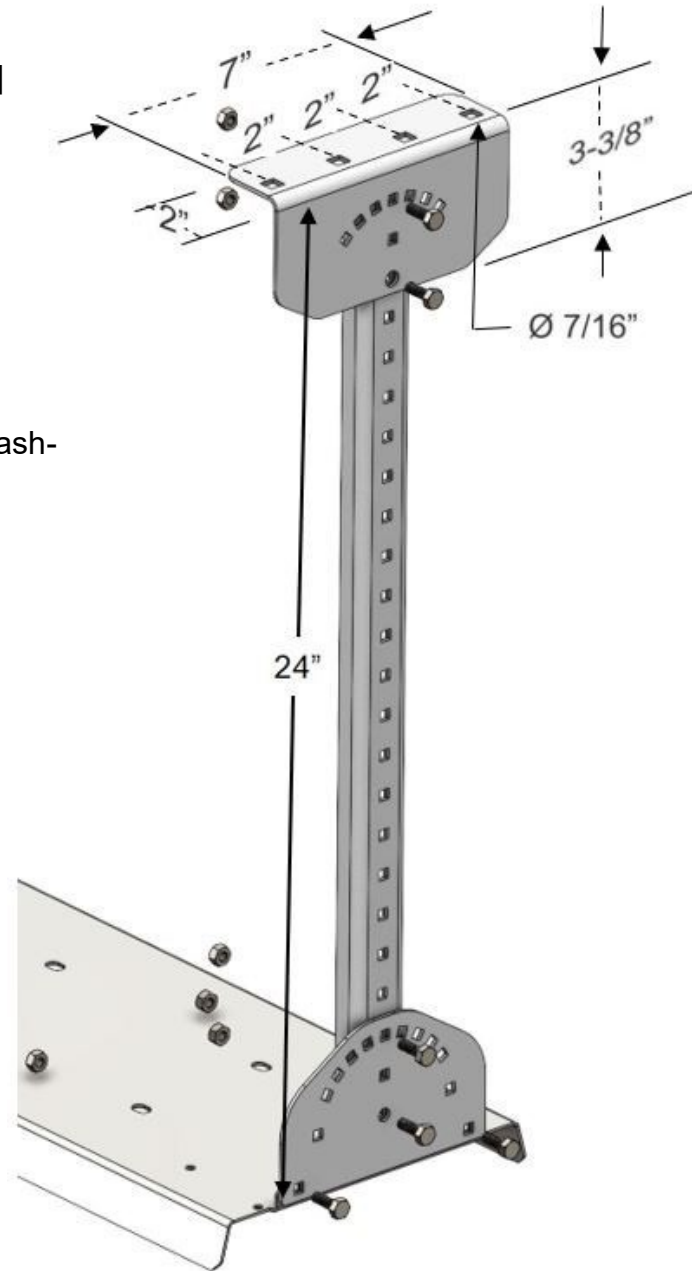
Component Quantities and Material Specifications each Kit:

1. 2 x Ceiling/Wall Bracket - 12 ga. [0.102"]
316 S/S
2. 2 x 24" [610 MM] Channel Leg - 12 ga.
[0.102"] 316 S/S
3. 2 x Heater Attachment Bracket - 12 ga.
[0.102"] 316 S/S
4. 12 x 1/4" x 3/4" Stainless Steel Bolts
5. 12 x 1/4" Stainless Steel KEP Nuts [lock wash-
er attached]

Note:

It is the installer's responsibility to ensure:

- Adequate mounting strength and integrity to the structure using field supplied 3/8" lag screws or bolts
- Maintain required clearances to combustibles from heater
- Refer to manual: heater weights; required clearances



Assembly:

- The 24" Channel Leg can be cut to a shorter length
 - **Ensure required clearances to combustibles from heater are maintained**
- Fasten the Ceiling/Wall Bracket and Heater Attachment Bracket to the Channel Leg using two supplied 1/4" bolts at each connection as illustrated.
- The arc of holes in the Ceiling/Wall Bracket allows angling of the Channel Leg from the bracket up to 45°, and/or mounting the bracket to a sloped ceiling.
- The arc of holes in the Heater Attachment Bracket allows angle mount of the heater.
 - **NOTE: Maximum allowed heater angle is 30°**
- Fasten an assembled mounting bracket to each end of the Heater Support Bracket [supplied on heater using two 1/4" bolts supplied.

Note:

- **Only for supremeSchwank 2300 Series & IO – 200 Series**
- The Ceiling and Heater Attachment Brackets can be fitted directly to one another without the Channel Leg, and yet achieve mini-mum clearance of 5-1/2" above for 2300 & IO-200 Series.
- Discard the Channel Legs.
- **Do not mount the bistroSchwank 2100 Series & IO-100 Series this way** required Clearance above will not be achieved.

