



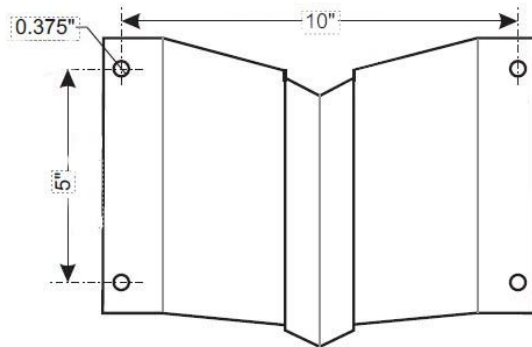
JP-2100-MB WALL MOUNTING KIT

USE CARE NOT TO DAMAGE OR SCRATCH HEATER DURING INSTALLATION

1

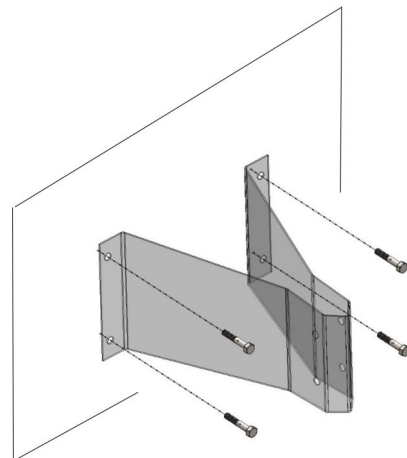
USE BRACKET AS TEMPLATE FOR HOLES/BOLTS TO THE STRUCTURE.

FASTEN TO STRUCTURAL MEMBER (S) OR DEVISE STRUCTURAL SUPPORT TO CARRY WEIGHT OF HEATER AND WIND/SNOW LOADS



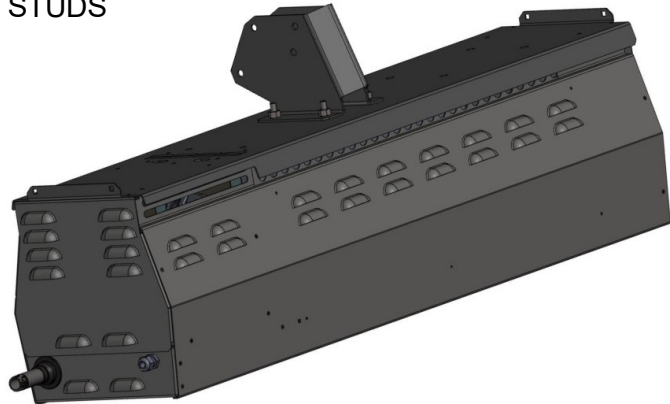
2

FASTEN WALL BRACKET TO STRUCTURE USING FIELD SUPPLIED FASTENING HARDWARE. ENSURE SUFFICIENT STRENGTH AND INTEGRITY TO CARRY WEIGHT OF HEATER AND WIND/SNOW LOADS



3

FASTEN HEATER BRACKET TO STUDS
ON TOP OF HEATER



4

INSTALL HEATER BRACKET ON
TO WALL BRACKET USING
BOLTS SUPPLIED (INSERT TOP
BOLT FIRST TO CARRY WEIGHT
OF HEATER)

