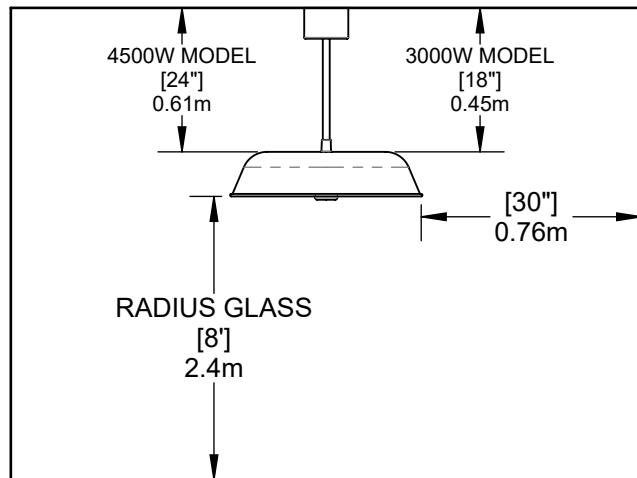
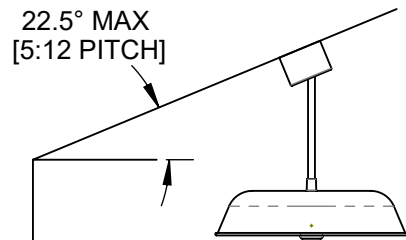


CLEARANCE REQUIREMENTS



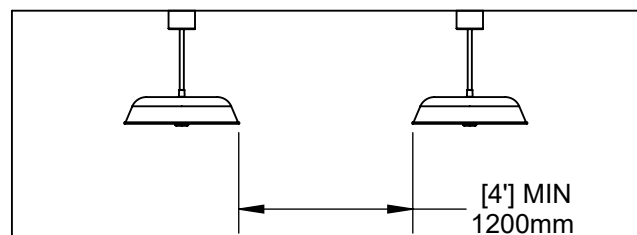
6' FRONTAL CLEARANCE TO FLAMMABLE OBJECTS REQUIRED
KEEP FLAMMABLE OBJECTS AWAY FROM THE SIDES AND REAR
HEATER EXHAUSTS HOT AIR. KEEP CEILING FANS AND
SPRINKLER SYSTEMS AWAY FROM THE HEATER. USE SUPPLY
WIRES RATED FOR 90°C OR GREATER.

INSTALLATION ON ANGLED CEILINGS



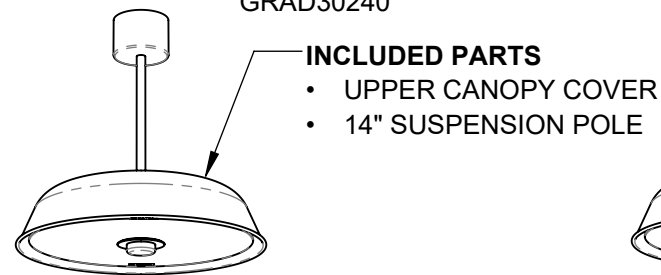
WHEN INSTALLING ON ANGLED CEILINGS,
MINIMUM CLEARANCES MUST BE OBSERVED

MINIMUM HEATER SPACING

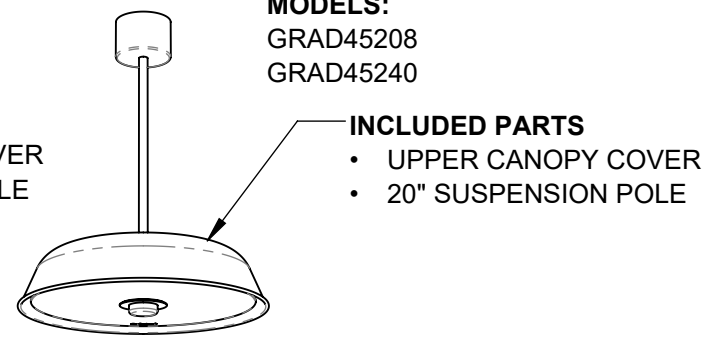


SHORTWAVE INFRARED HEATERS FOR:
INDOOR USE - RESIDENTIAL, COMMERCIAL AND INDUSTRIAL
OUTDOOR USE - RESIDENTIAL, COMMERCIAL AND INDUSTRIAL
FOR USE IN NON-HAZARDOUS AREAS ONLY

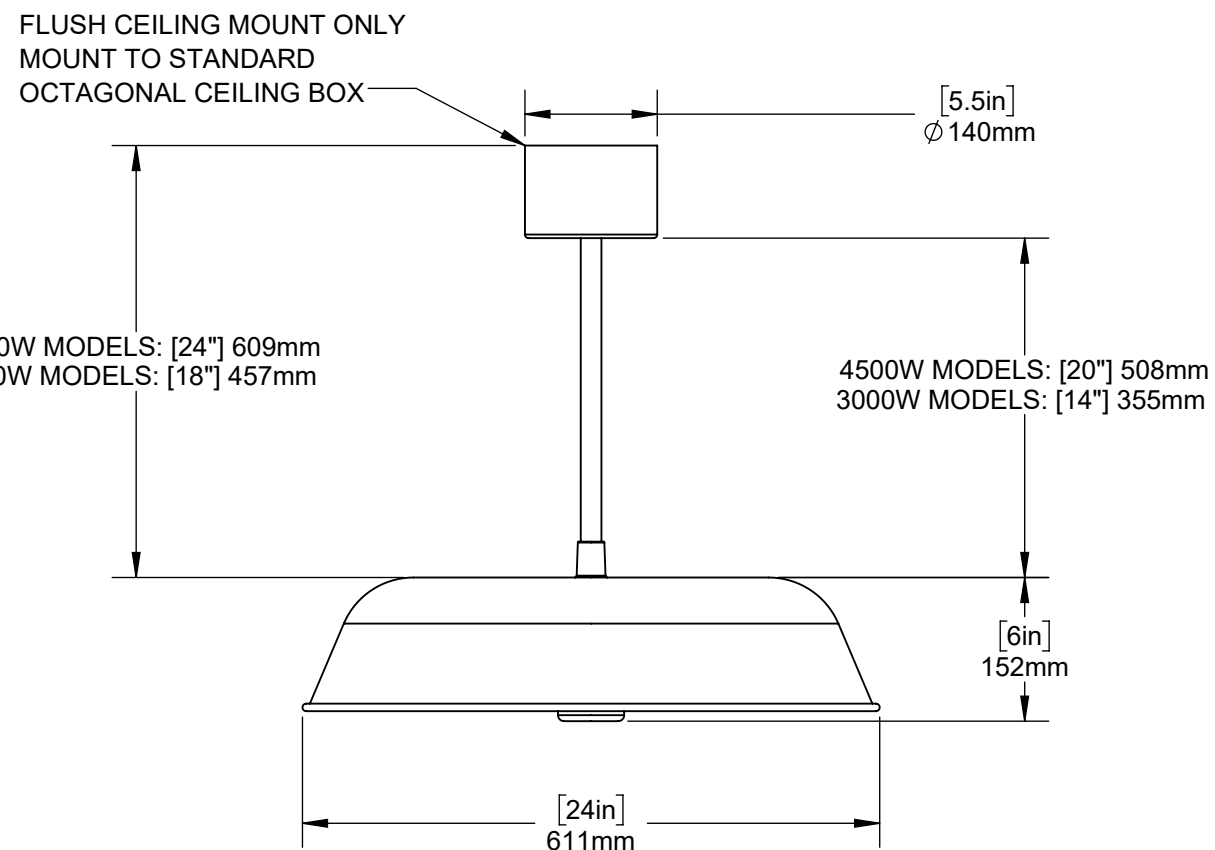
MODELS:
GRAD30208
GRAD30240



MODELS:
GRAD45208
GRAD45240

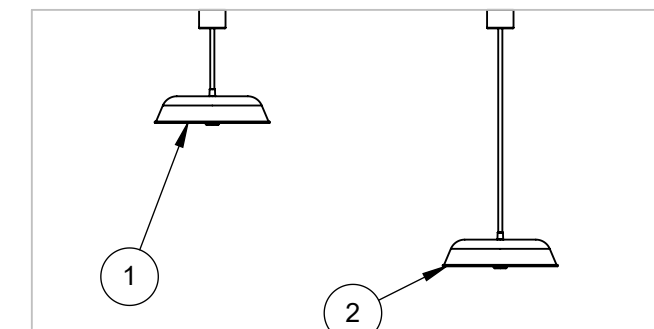


PRODUCT DIMENSIONS

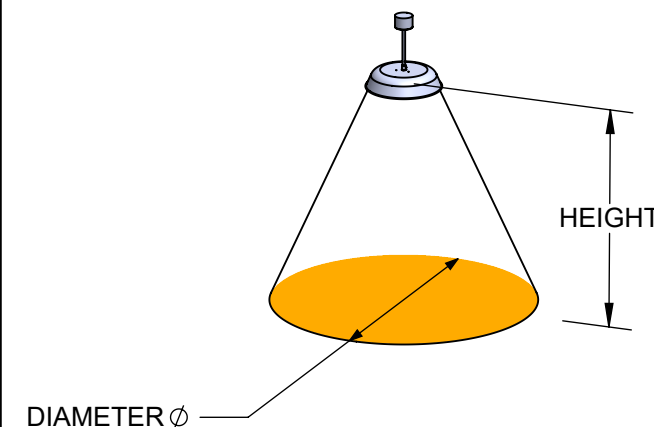


SUITABLE MOUNTING CONFIGURATIONS

- CEILING SUSPENDED - STANDARD POLE
 - SOLAIRA PROVIDED SUSPENSION POLE
- CEILING SUSPENDED - 48" POLE
 - SOLAIRA 48" SUSPENSION POLE ACCESSORY (OPTIONAL, SOLD SEPARATELY)



COVERAGE AREA



MODEL	MOUNTING HEIGHT	DIAMETER	HEAT DENSITY* (WATTS/ SQUARE FEET)
GRAD30240	8' (2.1m)	10' (3.1m)	20
	10' (3.1m)	12' (3.6m)	13
GRAD45240	8' (2.1m)	14' (4.3m)	20
	10' (3.1m)	16' (4.9m)	13

HEAT DENSITY IS REDUCED BY 25% WHEN DE-RATED TO 208V

**HEATER SPECIFICATIONS

DESCRIPTION	ITEM/ SKU	WEIGHT (LBS/KG)	POWER (WATTS)	HEAT DELIVERED (BTU)	VOLTAGE (VOLTS)	CURRENT (AMPS)
RADIUS GLASS - 208V, 3000W	GRAD30208*	26 / 12	3000	10200	240	12.5
RADIUS GLASS - 240V, 3000W	GRAD30240*	26 / 12	3000	10,200 / 7,673	240 / 208	12.5 / 10.8
RADIUS GLASS - 208V, 4500W	GRAD45208*	26 / 12	4500	15345	240	18.8
RADIUS GLASS - 240V, 4500W	GRAD45240*	26 / 12	4500	15345 / 11509	240 / 208	18.8 / 16.2

SKU NOTES: *SEE PRODUCT CATALOG FOR STANDARD COLOR OPTIONS. RADIUS GLASS HEATERS ARE SUPPLIED WITH A SUSPENSION POLE THAT MATCHES MIN. CEILING CLEARANCE | ** SPECIFICATIONS SUBJECT TO CHANGE WITHOUT NOTICE

NOTICE: THIS DOCUMENT IS NOT A SUBSTITUTE FOR APPROVED MANUAL. Failure to follow instruction manual may cause fire, electric shock or injury to persons. Solaira™ is a registered trademark of Inforesight Consumer Products. Customer, contractor specifier and installer understands that some or all products provided by Inforesight Consumer Products Inc. may not be available for purchase or installation in certain jurisdictions or geographical areas. Inforesight Consumer Products Inc. reserves the right, in its sole discretion, to exclude or otherwise limit the provision of any product to a person or entity residing in any jurisdiction or geographical area outside of Canada. Inforesight Consumer Products Inc. provides general product installation guidelines and procedures and Customer, contractor, specifier and installer understands that Customer, contractor, specifier and installer is solely and exclusively responsible for installation of the product and ascertaining all applicable local municipal, provincial, state, and federal NEC (National Electrical Code) rules, by-law, ordinances and guidelines applicable to the installation of any Inforesight Consumer Products Inc. products. Customer contractor, specifier and installer must strictly adhere to and be compliant with the local rules, laws, ordinances and legal requirements for the safe installation and use of any Inforesight Consumer Products Inc. products. Instruction manuals are included with the product packaging and copies of our instruction manuals are available upon request. Under no circumstances shall Inforesight Consumer Products Inc. or its affiliated entities, employees, agents, shareholders, officers or directors be liable to Customer or any third party for any product installations and Customer, contractor, specifier and installer releases Inforesight Consumer Products Inc. from any and all losses, death, personal injury, property damage, other damages, rights, claims, demands and actions of any kind arising from the Customer's installation and use of the product, whether the installation was or was not in accord with the provided instruction manual and/or in compliance with applicable local laws. Solaira products are to be installed by licensed technicians per instruction manuals and to all provincial/state and national (N.E.C.) code requirements; specifications subject to change without notice.



CONFORMS TO UL2021
CERTIFIED TO CSA22.2 46-13

A1	2024-11-11
REVISION	DATE: YYYY-MM-DD

Solaira
The Architect and Engineer's Choice

MODEL
RADIUS GLASS

SHEET NO. 1 OF 1	SHEET SCALE 1:8	SHEET SIZE 11X17
---------------------	--------------------	---------------------